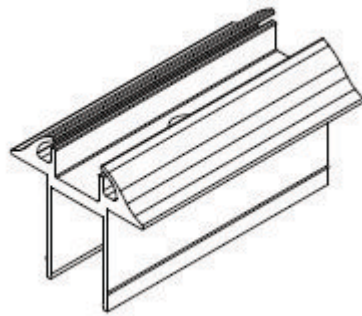
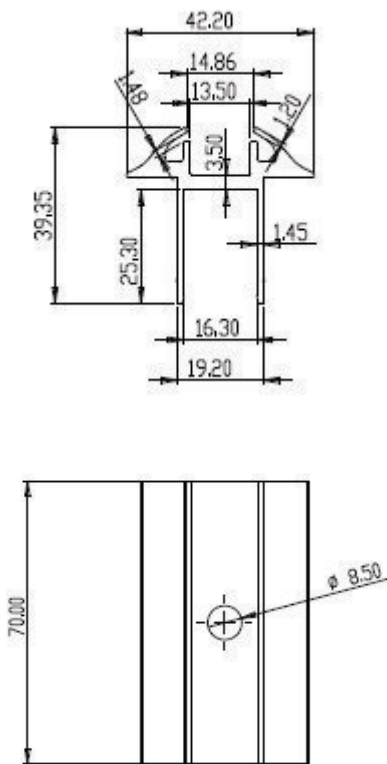




SUNBLOCKS

CONCRETE STRUCTURES FOR PHOTOVOLTAIC PANELS

FB Central clamp



MATERIAL
ALUMINUM



CONNECTING
MATERIAL
**STAINLESS
STEEL SCREW**



SURFACE
**BLACK ELOX
ALUMINUM**



GROUNDING
**INTEGRATED
GROUNDING
SPIKE**



DESCRIPTION

Aluminum center clamp is used to secure solar panels to the mounting structure. Integrated spike provides conductive connection between the panel frame and the structure. Black anodized finish provides high corrosion resistance and aesthetic appearance.

FEATURES

- Low weight
- High mechanical strength
- Corrosion resistance
- Suitable for interior and exterior use